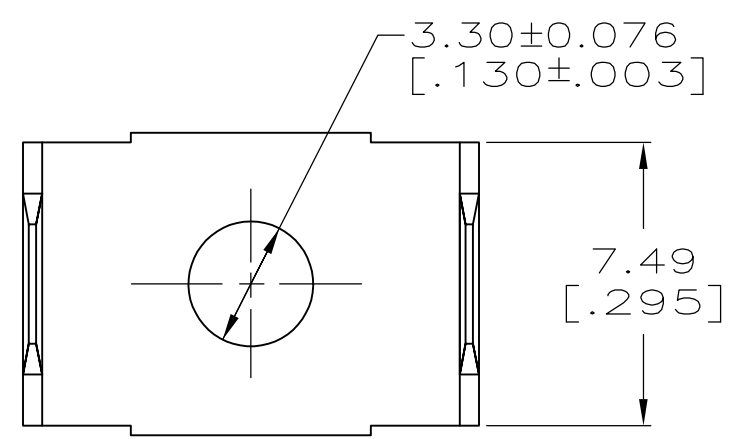
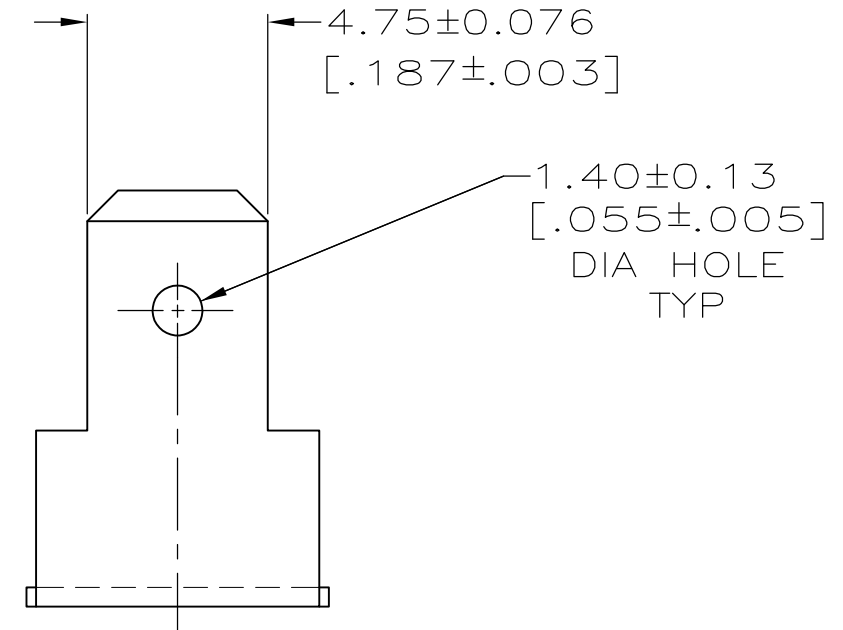
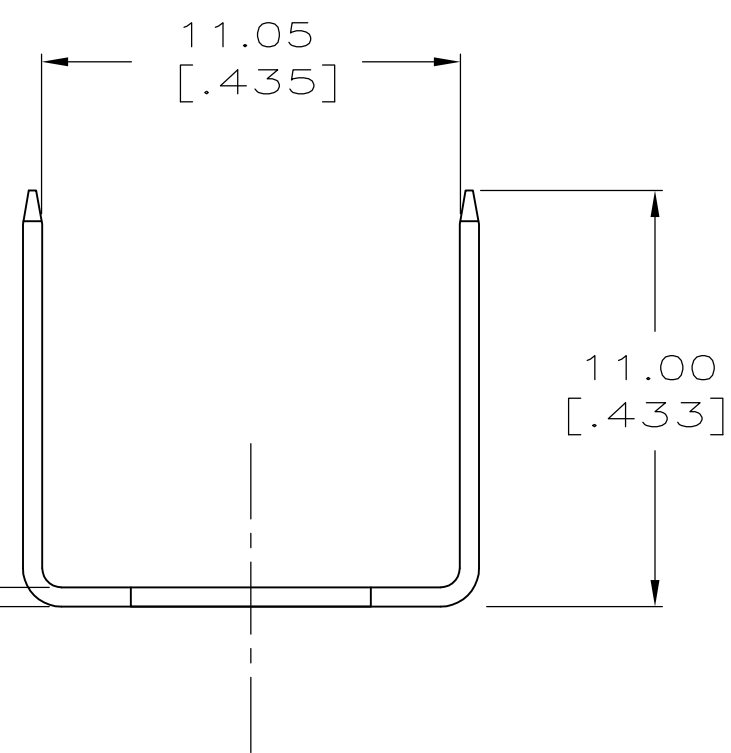


THIS DRAWING IS UNPUBLISHED. RELEASED FOR PUBLICATION
 © COPYRIGHT - By - ALL RIGHTS RESERVED.


| LOC | DIST | REVISIONS | | | |
|-----|------|-------------|---------------------------|-----------|-------|
| P | LTR | DESCRIPTION | DATE | DWN | APVD |
| AF | 50 | D | REVISED PER ECR-13-011489 | 05DEC2013 | KH PD |



1 CONTINUOUS STRIP ON REELS.



61951-1
PART NO.

| | | | | | | | |
|---------------------------------------------------------------------------------------|--|-------------------------------|-------------------------------------------------------------------------------------------------------|--------------|--------------------|-----------------------|--------------------|
| THIS DRAWING IS A CONTROLLED DOCUMENT. | | DWN JR RUTH 30JUN99 |  TE Connectivity | | | | |
| DIMENSIONS: mm [INCHES] | | CHK MS FEHER 30JUN99 | | | | | |
| TOLERANCES UNLESS OTHERWISE SPECIFIED: | | APVD P DESANTIS 30JUN99 | NAME | | | | |
| 0 PLC ± - 1 PLC ± - 2 PLC ± 0.38 [.015] 3 PLC ± - 4 PLC ± - ANGLES ± - | | PRODUCT SPEC - | TAB, FASTON, .187 SERIES | | | | |
| MATERIAL BRASS | | FINISH TIN | APPLICATION SPEC - | SIZE A3 | CAGE CODE 00779 | DRAWING NO C-61951 | RESTRICTED TO - |
| CUSTOMER DRAWING | | | WEIGHT - | SCALE 5:1 | SHEET 1 OF 1 | REV D | |